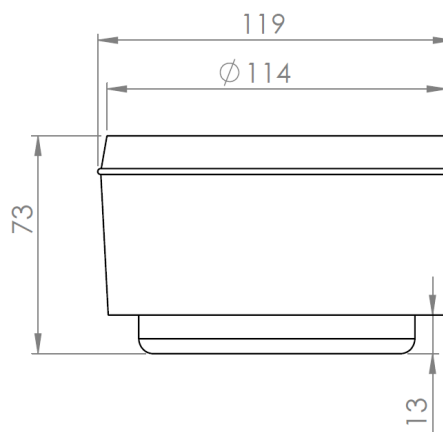


# CRYSTAL STUD PLRE2

## DATASHEET



## PRODUCT SPECIFICATIONS

Usage: Solar outdoor marking with no cabling.  
Leds' color: Amber or White 3000 K or White 4000 K.  
Structure: Tempered glass frame thickness 15 mm + aluminum tube.  
Battery LiFePO4 3.6 Ah.  
Solar panel Sunpower Back Contact.  
Operating temperatures: - 10°C / + 60°C.  
Resistance to compression (EN62262 - IK10): 3 tons.  
Weight: 1.25 kg.  
Dimensions: 119 x 72 mm.  
Class III - IP67 - IK10 - CE.

## AUTONOMY

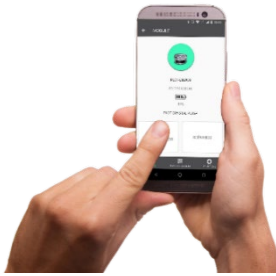
Battery capacity: 3.6 Ah.  
Autonomy: 480 hours.  
Embedded intelligence allowing optimal management of the battery according to the environment of the stud for operation 365 nights per year.  
Battery lifespan estimated at 22 years: 8000 cycles for a depth of discharge not exceeding 55 % (this corresponds to 8 hours of use per night in Paris, with 50 % sunshine during the day).

## CONNECTION

---

Bluetooth connection for a remote control of the product via the application Nowatt Lighting.

Application Nowatt Lighting on Smartphone, available on Android and iOS.  
The connection is protected by a code.



## FEATURES

---

ON / OFF function of the device.

Grouping: Creation of groups for simultaneous control of Crystal studs (within the range of Bluetooth).

Demo mode: The stud lights up in forced operation until the user turns it off or applies a scenario.

Setting of the light scenario among 4 standard scenarios.

Setting the operating time (for all nights):

- Number of hours from sunset.
- Number of hours before sunrise.

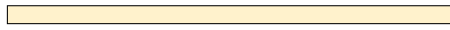
Import of new specific scenarios on request, provided by Nowatt Lighting.

## LUMINOUS SCENARIO

---

### Monochrome

*Fix white.*



### Candle



### Monochrome Wave



### Flash

*Choice of the number of flash by second.*



## INSTALLATION

---

The methodology for installing Crystal Studs depends on the type of soil.  
Please refer to our manual available on request.

## GARANTIE

---

Product guaranteed for two years in accordance with the warranties of the French lighting union.