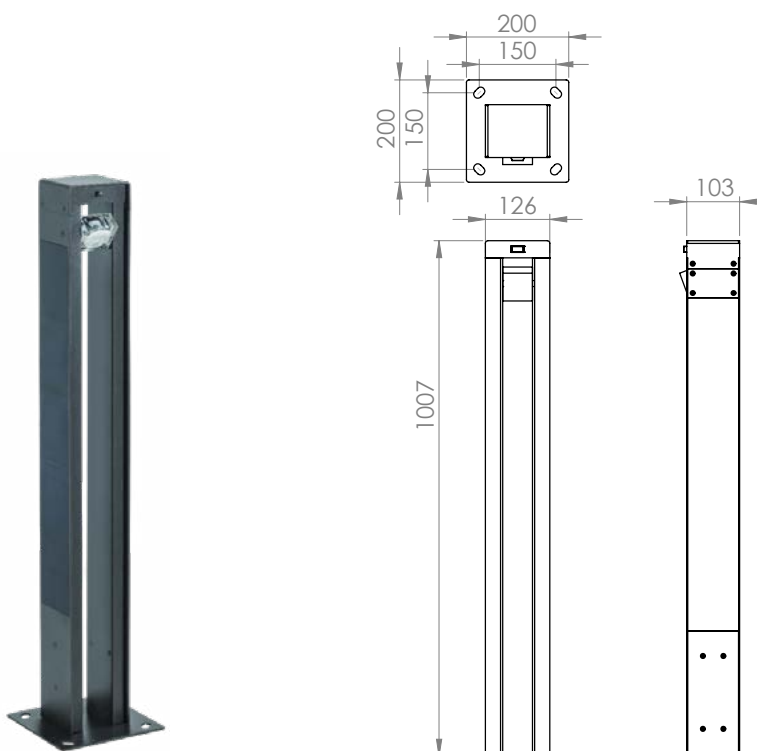


E-ONYX BOLLARD

DATASHEET



PRODUCT SPECIFICATION

- . Connected solar outdoor lighting fixture with Led.
- . Built in steel treated with antioxidation, powder coated polyester finish.
- . Battery LiFePO4 13 Ah.
- . Solar panel Sunpower Back Contact with MPPT.
- . Optical block PMMA adjustable to 220°.
- . Anodized aluminum radiator.
- . Motion sensor and USB socket.
- . Algorithmic management by microprocessor with a guarantee of a load management and computation of an optimal power all year-round considering latitude, season and weather conditions.

-
- . Charging temperatures:- 10°C / + 60°C.
 - . Battery's operating temperature:- 30°C / + 85°C.
 - . Weight: 12,5 kg.
 - . Dimensions: 1007 x 126 x 103 mm.
 - . Options:
 - Other colours on demand.
 - Scenario on demand.
 - . Class III- IP67 for the block and IP55 for the bollard- IK07- CE.

-
- . Bluetooth connection to remotely control the product via the Nowatt application:
 - ON/OFF function of the device.
 - Setting of the colour.
 - Setting of the lighting scenario.

CE IK IP

LEDS

Choice of Leds:

- RGB + W 5700 K
- 4W dynamic: 2700 K + 5700 K
- 4WA dynamic: PC Amber + 5700 K

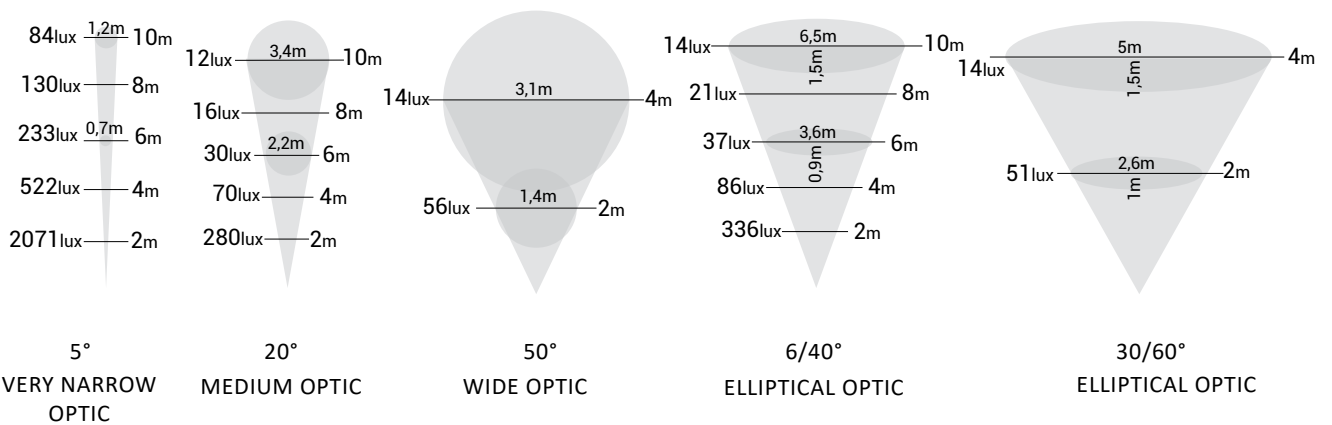


BATTERY

Battery LiFePO4 13 Ah		
Cycles	DOD (in %)	Lifespan (in years)
2000	100	5
3000	80	8
8000	55	22

OPTICS

Maximum illuminance in Lux for an average winter UAP (Usable Available Power) in Marseille, for a 6 hours lighting with a 4000 K Led source.



FRAME COLOUR



SILVER
 INTERPON D2525 STRUCTURA 9007
 SAND-BLASTED
 CODE Y2329F



GRAPHITE
 INTERPON FUTURA BLACK 2100
 SAND-BLASTED
 CODE YW359F

OTHER COLORS ON DEMAND

SCENARIOS LIGHTING DURATION

SCENARIO 1

6 hours lighting from sunset.



SCENARIO 2

4 hours lighting from sunset.
2 hours lighting before sunrise.



SCENARIO 3

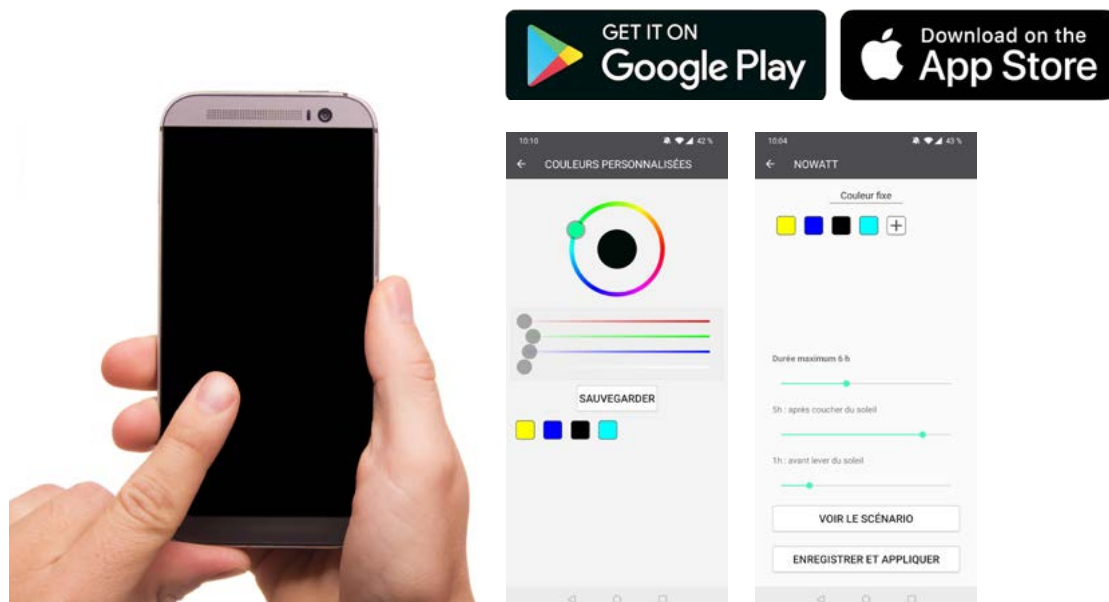
From sunset to sunrise with presence detection
(extinction after 2 minutes with no movement).



SCENARIO 4

Scenario on demand.

NOWATT application available on:



WARRANTY

Product guaranteed for two years in accordance with the warranties of the French lighting union.