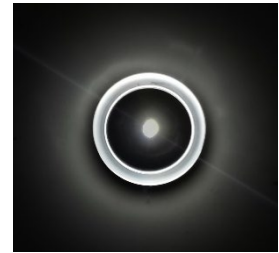
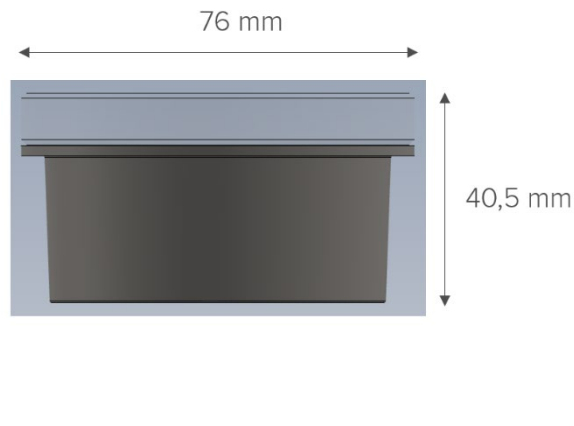


# MIKA STUD PM-76-E4

## DATASHEET



## PRODUCT SPECIFICATIONS

Usage: Solar luminous dot connected with Led for outdoor facades, with no cabling.

Leds' color: Colors RGB + White 4000 K.

Structure: Tempered glass frame thickness 10 mm + machined aluminum frame.

Battery LiFePO4 1 Ah.

Solar panel Sunpower Back Contact.

Operating temperatures: - 10°C / + 60°C.

Weight: 300 g.

Dimensions: 76 x 40.5 mm.

Class III - IP67 – IK08 - CE.

## AUTONOMY

Battery capacity: 1 Ah.

Autonomy: 130 hours.

Embedded intelligence allowing optimal management of the battery according to the environment of the stud for operation 365 nights per year.

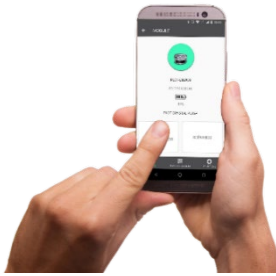
Battery lifespan estimated at 22 years: 8000 cycles for a depth of discharge not exceeding 55 % (this corresponds to 9 hours of use per night in Paris on a South facade, with 50 % sunshine during the day).

## CONNECTION

---

Bluetooth connection for a remote control of the product via the application Nowatt Lighting.

Application Nowatt Lighting on Smartphone, available on Android and iOS.  
The connection is protected by a code.



## FEATURES

---

ON / OFF function of the device.

Grouping: Creation of groups to send the same scenario simultaneously to several Mika studs (within the range of Bluetooth). This feature does not allow synchronization among the Mika studs.

Demo mode: The stud lights up in forced operation until the user turns it off or applies a scenario.

Setting of the light scenario among 8 standard scenarios.

Setting the operating time (for all nights):

- Number of hours from sunset.
- Number of hours before sunrise.

Import of new specific scenarios on request, provided by Nowatt Lighting.

**LUMINOUS SCENARIO**

**Rainbow Chain**



**Rainbow Gradient**



**Monochrome Candle**

*Color at choice.*



**Monochrome**

*Color at choice*



**Rainbow Flash**

*Choice of the number of flash by second.*



**Rainbow Wave**



**Monochrome Flash**

*Color at choice.*

*Choice of the number of flash by second.*



**Monochrome Wave**

*Color at choice.*



**INSTALLATION**

Installation recessed or flush.  
Fixing device in stainless steel M8x30.



**GARANTIE**

Product guaranteed for two years in accordance with the warranties of the French lighting union.