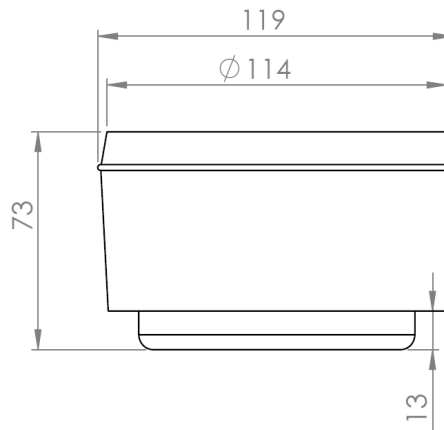


CRYSTAL BOLLARD PLRE2

PRODUCT SHEET



TECHNICAL DESCRIPTION

Usage: Solar outdoor marking device

Structure: 15 mm thick tempered glass on aluminium tube

LED Colours: Amber or White 3000 K, or White 4000 K

Colour Rendering Index (CRI) : Minimum 80

Luminous Flux: 4 lm

LiFePO4 Battery (3.2 V / 4.5 Ah)

SunPower Back Contact Solar Panel

Operating Temperatures: -10°C to +60°C

Dimensions: 119 x 73 mm

Weight: 1.25 kg

Compression Resistance (EN62262 - IK10): 3 tonnes (suitable for vehicles up to 32 tonnes)

Class III - IP67 - IK10 - CE

AUTONOMY

Battery Capacity: 4.5 Ah

Autonomy : 480 hours

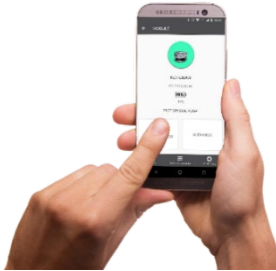
Embedded Intelligence : Allows optimal battery management based on bollard environment for operation 365 nights per year.

Battery Lifespan : Estimated at 22 years, 8000 cycles with a depth of discharge not exceeding 55% (equivalent to 8 hours of nightly use in Paris, with 50% sunlight during the day).

CONNECTION

Bluetooth connection for remote control of the product via the Nowatt Lighting app.

Nowatt Lighting application on Smartphone, available on Android and iOS.
The connection is protected by a code.



FEATURES

Device ON/OFF function.

Setting the operating duration (for every night):

- Number of hours after sunset.
- Number of hours before sunrise.
- Several possible scenarios.

LIGHTING SCENARIOS

Monochrome
Steady White



Candle



Monochromatic wave



Flash

Choice of the number of flashes per second



INSTALLATION

The installation method for Crystal Bollards depends on the type of ground.
Please refer to our manual available upon request.

WARRANTY

The product is guaranteed for two years in accordance with the warranties of the French Lighting Syndicate.