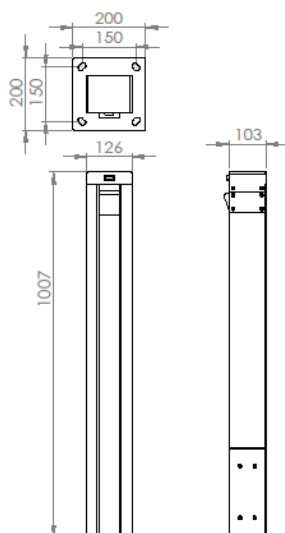


# ONYX BOLLARD

## DATASHEET



## PRODUCT SPECIFICATIONS

Usage: Solar outdoor lighting bollard connected with LED.

Structure: Anodized aluminum frame body, powder coated polyester finish.

Aluminum optical block adjustable to 220°.

Leds' color temperature: White 2200 K, 2700 K, 3000 K or 4000 K.

CRI:

- LED 2200 K: 80 CRI Typical
- LED 2700 K: 80 CRI Minimum
- LED 3000 K: 80 CRI Minimum
- LED 4000 K: 75 CRI Typical

Battery LiFePO4 (13.5 Ah).

Solar panel Sunpower Back Contact.

Motion sensor.

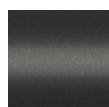
Operating temperatures: - 10°C / + 60°C.

Dimensions: 1007 x 126 x 103 mm.

Weight: 3.4 kg.

Class III - IP68 for the block and IP55 for the bollard - IK07 - CE.

## FRAME COLOUR



Graphite

Interpon futura black 2100

Sand-blasted – Code YW359F

OTHER COLORS ON DEMAND

## POWER MANAGEMENT

---

Power (annual average in Marseille for 6 hours of operation per night): 1.9 W.

Outflow (annual average in Marseille for 6 hours of operation per night): 280 lm.

Autonomy (conditions in Marseille for 6 hours of operation per night, without considering the algorithm): 41 hours.

Embedded intelligence allowing optimal management of the battery according to the environment of the stud for operation 365 nights per year.

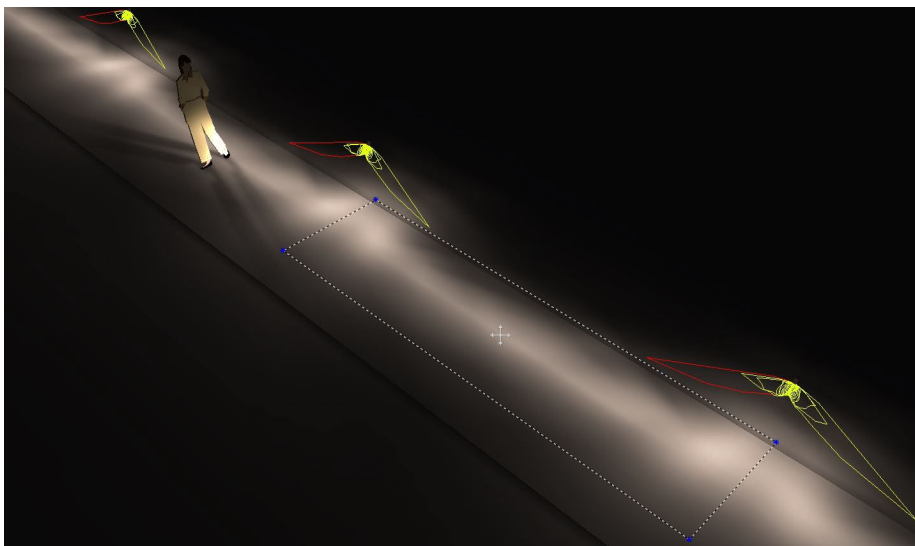
Battery lifespan estimated at 22 years: 8000 cycles for a depth of discharge not exceeding 55 % (this corresponds to 8 hours of use per night in Paris, with 50 % sunshine during the day).

## OPTICS

---

Optic 150/23°.

Example: In Marseille with 6 hours of operation, on a 1.50 m wide pathway, with an interdistance of 6 m, the Onyx bollard gives an average illuminance of 19 lux and a uniformity of 0,19.



## CONNECTION

---

Bluetooth connection for a remote control of the product via the application Nowatt Lighting.

Application Nowatt Lighting on Smartphone, available on Android and iOS.  
The connection is protected by a code.



## FEATURES

ON / OFF function of the device.

Choice of scenario from 3 standards scenarios.

Possible import of a new specific scenario on request, provided by Nowatt Lighting.

## LUMINOUS SCENARIO

### SCENARIO 1

6 hours lighting from sunset.



### SCENARIO 2

4 hours lighting from sunset. 2 hours lighting before sunrise.



### SCENARIO 3

From sunset to sunrise with presence detection (extinction after 2 minutes with no movement).



### SCENARIO 4

Scenario on demand.

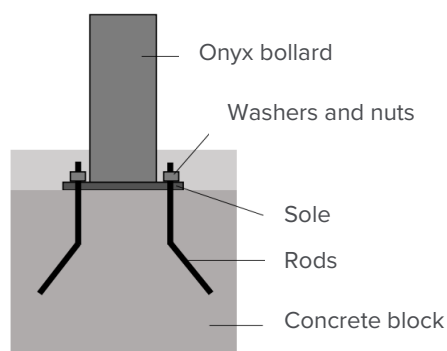
## INSTALLATION

*Information given as an indication.*

Make a concrete base with anchor rods.

The anchoring rods are not supplied.

Height of the Onyx bollard	1 meter
Dimensions of the concrete block (side x side x height)	400 x 400 x 400 mm
Distance between rods	150 mm
Diamètre tiges	M12



**WARRANTY**

---

Product guaranteed for two years in accordance with the warranties of the French lighting union.